

淡江大學九十一學年度日間部轉學生招生考試試題

系列：電機工程學系三年級

科目：電路學

准帶項目請打「○」否則打「x」
計算機
○

本試題共 1 頁

1. Find v_o in the circuit of Fig. 1.
25%

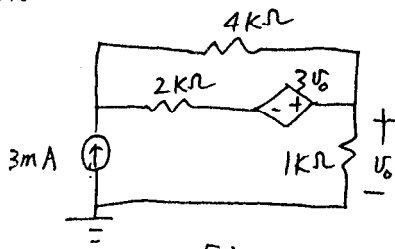


Fig. 1

2. The switch in Fig. 2 has been closed for a long time and is opened at $t = 0$. Find $i(t)$ for $t \geq 0$.
25%

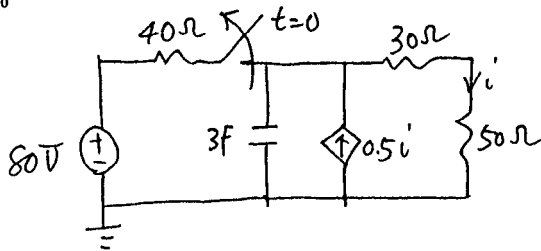


Fig. 2

3. If $v_1(0) = 2\text{ V}$ and $v_2(0) = 0\text{ V}$ in the circuit of Fig. 3, find $v_o(t)$ for $t \geq 0$.
25%

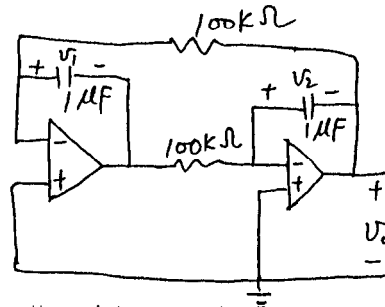


Fig. 3

4. The switch in the circuit of Fig. 4 has been closed for a long time and is opened at $t = 0$, use Laplace transform to find $v_o(t)$ for $t \geq 0$.
25%

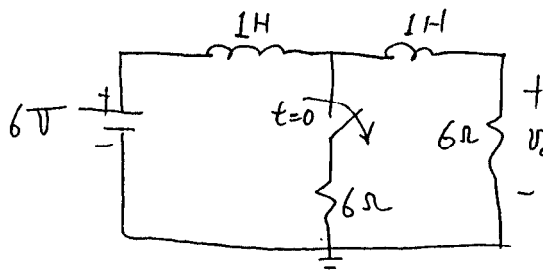


Fig. 4